

# Determining Handedness by Grip Strength Analysis



Lab # 15

Miss School, Miss Out!

# Determining Handedness by Grip Strength Analysis

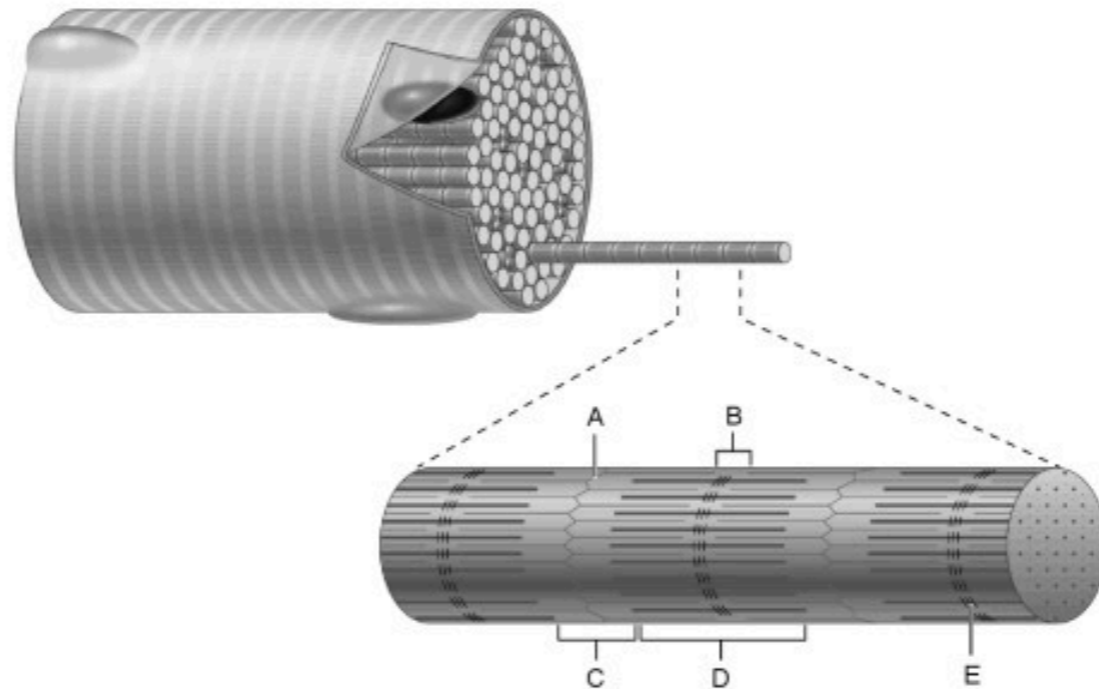
- **Question:** Can grip strength be used to determine handedness?
- ***Hypothesis/Prediction:***
- ***Procedure:***
- ***Observations/Data:***
- ***Analysis & Conclusion:***

# Determining Handedness by Grip Strength Analysis

Individual Data		
Gender:	Handedness:	
Trial	Right Hand Force (N)	Left Hand Force (N)
1		
2		
3		
Average:		







7. The Z-disc is identified by letter? \*

1 point

Choose ▼

8. The H-zone is identified by letter? \*

1 point

Choose ▼

9. The M-line is identified by letter? \*

1 point

Choose ▼

10. The A-band is identified by letter? \*

1 point

Choose ▼

11. The I-band is identified by letter? \*

1 point

Choose ▼



# Determining Handedness by Grip Strength Analysis

Class Data				
Test Subject	Gender	Dominant Hand	Right Hand Force (N)	Left Hand Force (N)
1				
2				
3				
4				
5				
6				
7				
8				
9				
10				
11				
12				
13				
14				
15				
16				
17				
18				



# Determining Handedness by Grip Strength Analysis

Class Data				
Test Subject	Gender	Dominant Hand	Right Hand Force (N)	Left Hand Force (N)
1	F	L	132	147
2	F	R	163	120
3	F	R	160	260
4	M	R	400	350
5	F	R	220	140.6
6	F	R	125	110
7	M	R	501.5	401.4
8	F	R	167.4	142.6
9	F	R	166	153
10	F	R	177.3	184.3
11	F	R	156	170
12	F	R	198	151
13	M	L	260.4	216.6
14	F	R	191.5	191.8
15	F	R	302.4	273.4
16	F	R	230.4	169.3
17	M	R	456.3	327.7
18	F	R	168.9	158

# Grip Strength Left Hand & Right Hand

